



Lucas Equine Equipment, Inc.

Wall-Mounted Stay Roll Guide Installation Instructions

5900-092

Items Included: • 1 Wall-Mounted Stay Roll Guide Assembly:

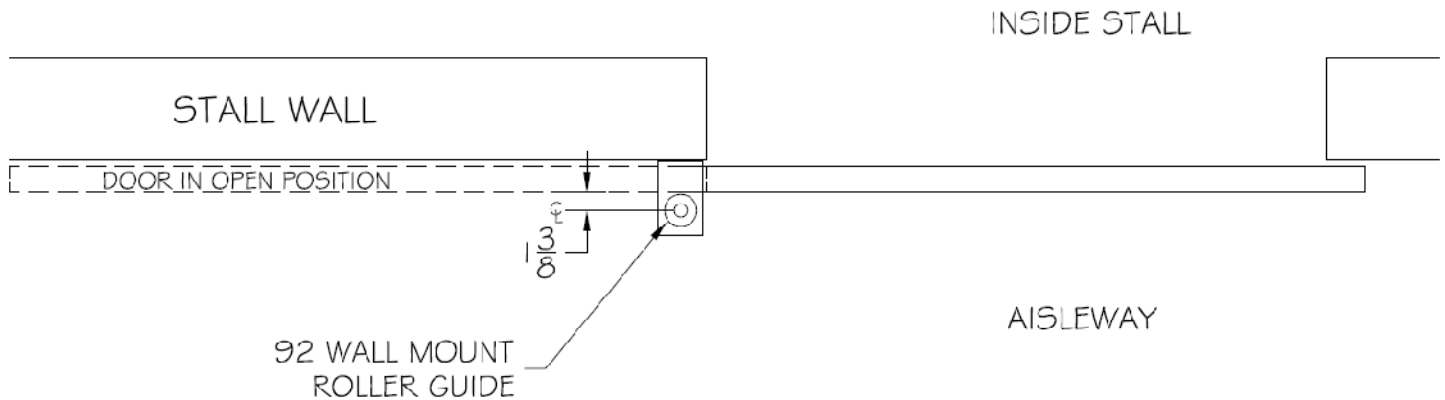
- 1 Roller
- 1 Angle Bracket
- 2 Bronze Bushings
- 2 Nuts
- 4 #14 Screws
- 1 Bolt

Tools Required: • 3/4-inch Wrench or Adjustable Wrench

- 3/16 Masonry Bit (required for mounting in masonry)
- Marker

1. Locate the area for Wall-Mounted Stay Roll Guide installation. This is preferably at the edge of the door opening. Note: The Stay Roll Guide should always be in contact with the door, and there should be a minimum of 1/4-inch gap between the bottom of the door and the angle bracket. See diagrams below for placement.
2. With guide in position, mark the holes.
3. Slide the door clear of the work area and secure with one of the enclosed screws. Be sure the angle bracket is straight; then, secure with the remaining screws. If you are mounting this guide to a masonry wall, pre-drill the marked holes with a 3/16 masonry bit prior to securing with the screws.
4. Attach the roller to the angle bracket with the bolt provided. The height can be adjusted by using one or both of the bronze bushings enclosed. Secure bushings using a 3/4-inch wrench or adjustable wrench.

Top View



Side View

