



Lucas Equine Equipment, Inc.

Pinlock Assembly Latch Installation Instructions

Item Number: 5900-030-PC
5900-030-PS
5900-030-ESPC

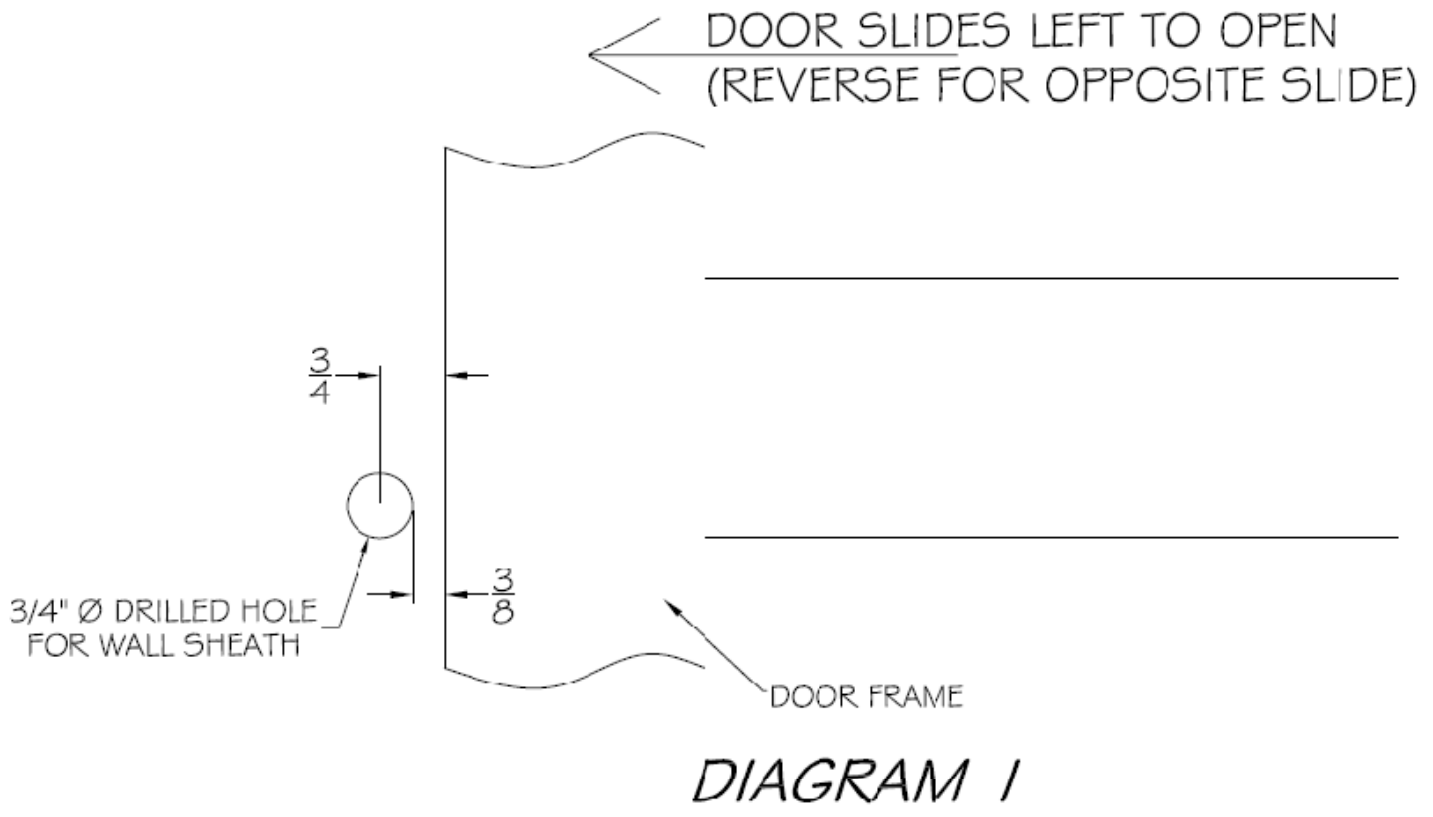
- Items Included:
- 1 Pin and Chain
 - 1 Wall Sheath with Welded Tube
 - 1 Chain Loop
 - 1 Pin Receptacle
 - 2 #8 Screws (for chain loop)
 - 2 #10 Screws (for pin receptacle)
 - 2 #14 Screws (for wall sheath)

- Tools Required:
- Drill
 - 1/2-inch Drill
 - #2 Phillips Bit
 - #3 Phillips Bit
 - 3/4 Metal Drill Bit (for mounting in wood or metal)
 - 3/16 Masonry Bit (required for mounting in masonry)
 - 3/4 Masonry Bit (required for mounting in masonry)
 - Marker (required only for mounting in masonry)

For Wood, Metal or Masonry Applications

Note: For wood or metal tube applications, no pre-drilling is required. However, in metal a 1/8-inch pre-drilled hole may make installation easier.

1. Mounting the Wall Sheath: With the sliding door closed, locate and mark the area for installation. Refer to **Diagram 1** for preferred location. Wall sheath should be mounted 3/8-inch from the door when the door is placed in the closed position.



2. Using the 1/2-inch drill and 3/4-inch metal drill bit (or 3/4 masonry bit for block or concrete installation), drill a hole at a 30-degree angle in the area you marked for the wall sheath. However, if you are installing the wall sheath into a metal tube, you can drill a straight hole for the wall sheath.
***Need help finding a 30-degree angle?** One good way to approximate a 30-degree angle is to place the wall sheath (backwards and upside down) against the door frame with the faceplate against the frame and the sheath part pointed at an upward angle. The angle created by the upward pointing sheath is 30-degrees. Use this angle as a guide for approximating your drilling angle.*
3. Place the wall sheath in the 3/4-inch hole until the plate is straight and flat against the wall. *If you are mounting the sheath to a masonry wall, mark the two sheath screw holes, and then remove the sheath. Pre-drill these screw holes with a 3/16 masonry bit.*
4. For all mounting applications, secure the plate with two #14 mounting screws.

5. Mounting the Chain Loop: Place the pin in the wall sheath. Leaving slack in the chain, place the chain loop on the edge of the door. See **Diagram 2A**. Secure the chain loop with two #8 screws. If you are mounting to a heavy gauge tube, pre-drilled holes may make mounting easier.

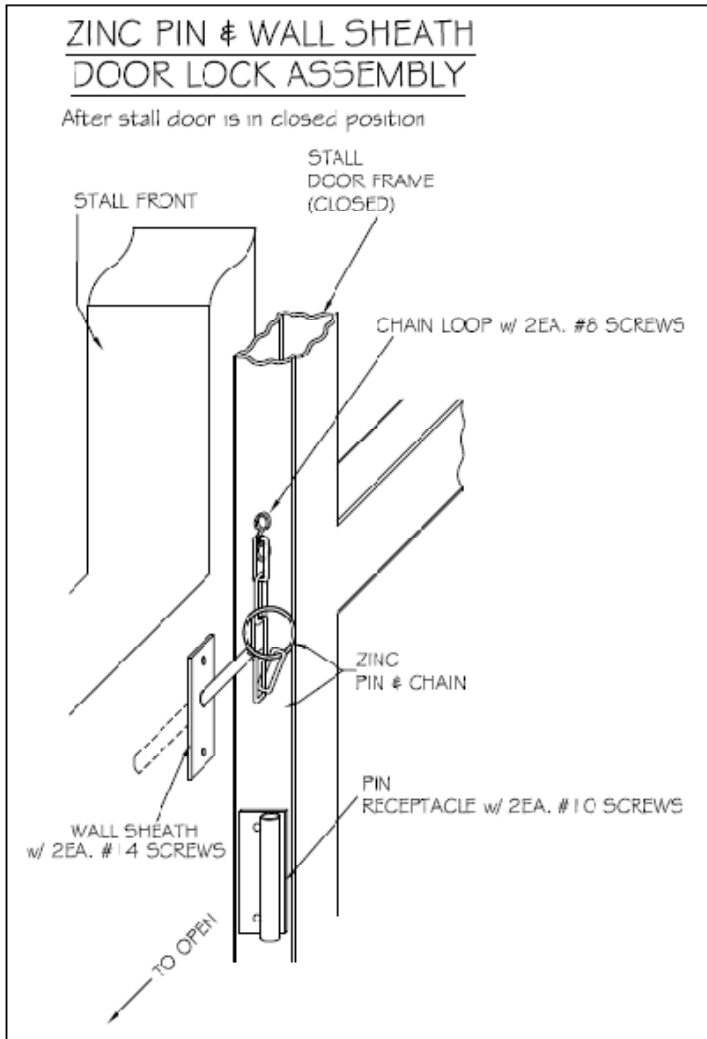


DIAGRAM 2A

NOTE: IF YOKE OPENING IS PRESENT, ENTIRE PINLOCK ASSEMBLY WILL NEED TO BE LOWERED. THIS WILL KEEP HORSES FROM OPERATING LATCH.

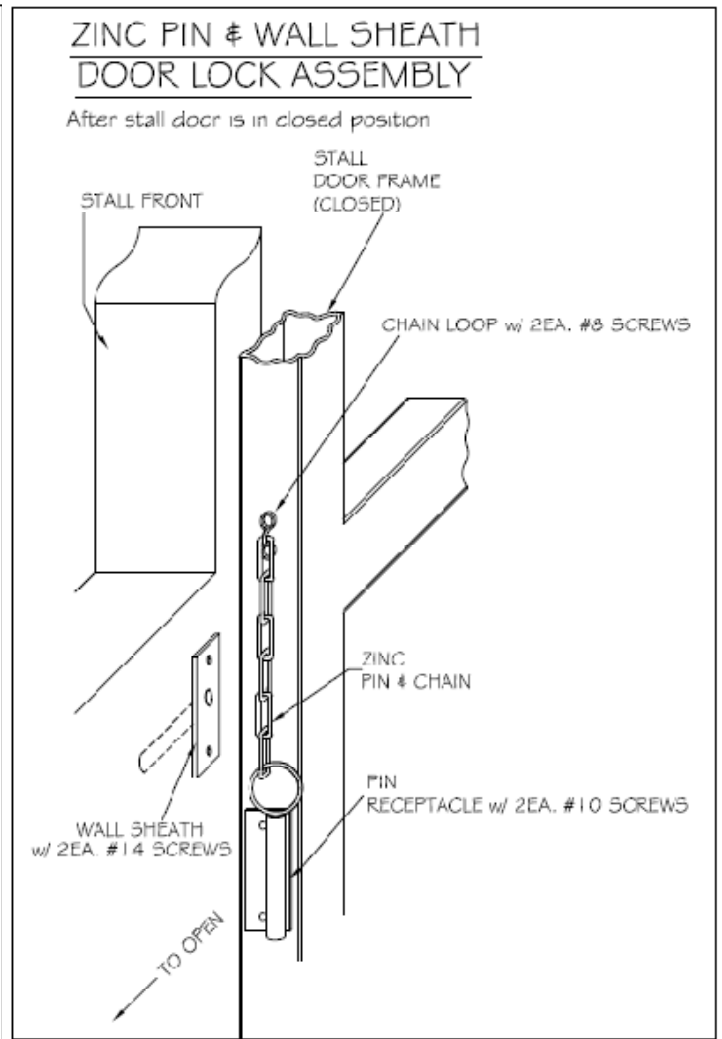


DIAGRAM 2B

NOTE: IF YOKE OPENING IS PRESENT, ENTIRE PINLOCK ASSEMBLY WILL NEED TO BE LOWERED. THIS WILL KEEP HORSES FROM OPERATING LATCH.

6. Mounting the Pin Receptacle: With the pin in a free-hanging position, slide the receptacle onto the pin (see **Diagram 2B**). Use this step to help determine the mounting location for the pin receptacle by securing the receptacle to the edge of the door in this location with two #10 screws. If you are mounting to a heavy gauge tube, pre-drilled holes may make mounting easier.